

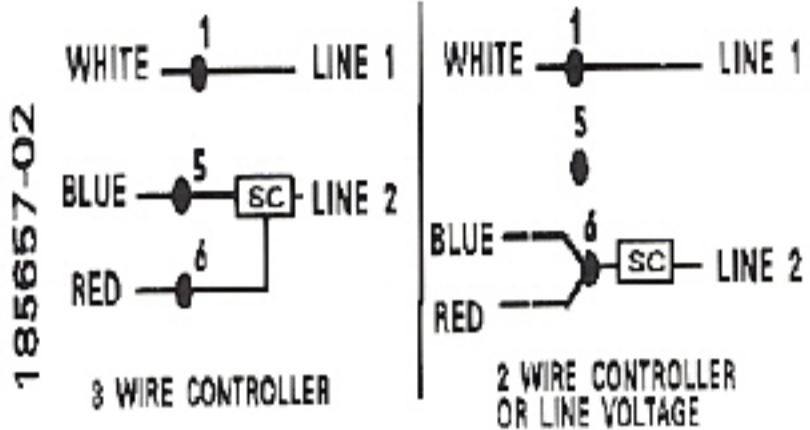


PART **7 - 181619 - 02** FR K56Y TYPE CX FORM KHN  
 HP 1/2 RPM 1725 HZ 60 PH 1 SF 1.00 CODE G  
 VOLTS 230 AMPS 2.5 ENCL TE  
 TIME CONT AMB. 40 °C INSUL CLASS B SERIAL BZ09-13  
 RAYDOT P/N M719 A.O.M. VERTICAL  
 SUITABLE FOR USE WITH SPEED CONTROL.

THERMALLY PROTECTED FA

LUBRICATION:

BEARING PRELUBRICATED  
 NO FURTHER LUBRICATION  
 NECESSARY



178901N  
17890201

**WARNING** HAZARDOUS VOLTAGE CAN CAUSE SEVERE OR FATAL INJURY • TERMINAL COVER MUST BE IN PLACE FOR SAFE OPERATION  
 MUST BE INSTALLED AND GROUNDED BY QUALIFIED PERSONNEL PER NATIONAL ELECTRICAL CODE AND LOCAL CODE  
 DISCONNECT POWER BEFORE SERVICING UNIT • KEEP FOREIGN OBJECTS AWAY FROM OPENINGS AND MOVING PARTS  
 DO NOT OPERATE IN EXPLOSIVE ATMOSPHERE

**RAYDOT** Success is in the Air

<b>S# K56B06D27</b>	<b>SER2G04</b>	<b>MOTOR MUST BE GROUNDED</b>
HP 1.0	TYPE K	<b>CONNECTIONS</b> 
RPM 1725/1425	SF 1.40	
V 115/230	PH 1	
A 9.6/4.8	SFA 13.4/6.7	
HZ 60/50	AMB 40 °C	
FR 56H	CODE K INS B	BALL BEARINGS FACTORY LUBRICATED FOR 10 YEARS OF NORMAL OPERATION FOR SEVERE OPERATION REMOVE END BELLS AND REGREASE
TIME CONT	HSG TEAO	
THERMALLY PROTECTED TYPE A FAN DUTY, AIR OVER MOTOR		
M734		

MFG. BY **A.O.SMITH CORP.** ASSEMBLED IN MEXICO

Date Code  
 BZ - mfg Year 2004  
 09 - month Sept

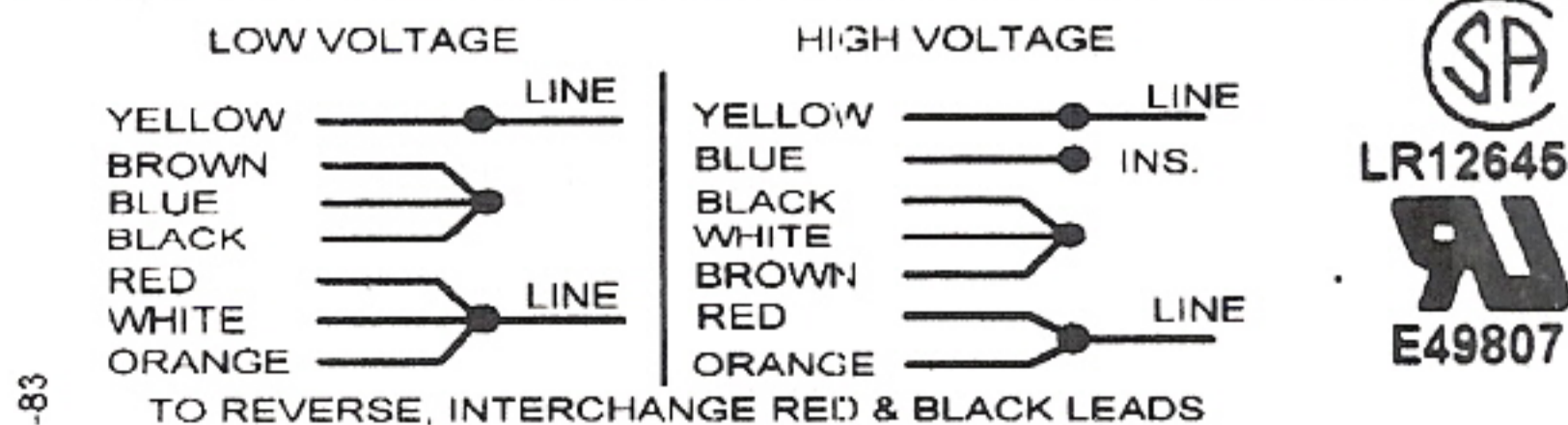
Date Code  
 2 plant of mfg.  
 G - month July (Jan is A, Feb is B, etc.)  
 04 - mfg year 2004

**A.O.SMITH** ELECTRICAL PRODUCTS COMPANY

**CENTURY® AC MOTOR**

CAT. NO. C042 PART: HF2J036N FR: 48Z  
 HP: 1/4 RPM: 1700 HZ: 60 PH: 1  
 VOLTS: 115/230 AMPS: 3.4/1.7  
 TIME: CONT AMB: 40 °C INS CL: B ENCL: TE CODE: G  
 BRG: BALL FORM: PKN TYPE: CX SF: 1.00 SER: 51S U  
 THERMALLY PROTECTED  
 AOM FAN DUTY ONLY  
 TIPP CITY, OHIO

ASSEMBLED IN MEXICO



**WARNING** HAZARDOUS VOLTAGE CAN CAUSE SEVERE OR FATAL INJURY • MUST BE INSTALLED AND GROUNDED BY QUALIFIED PERSONNEL PER NATIONAL ELECTRICAL CODE AND LOCAL CODE  
 CODES • TERMINAL COVER MUST BE IN PLACE FOR SAFE OPERATION • DISCONNECT POWER BEFORE SERVICING UNIT • KEEP FINGERS AND FOREIGN OBJECTS AWAY FROM OPENINGS AND MOVING PARTS

Date Code  
 51 - week of mfg.  
 5 - year of mfg 2004  
 U - plant code